

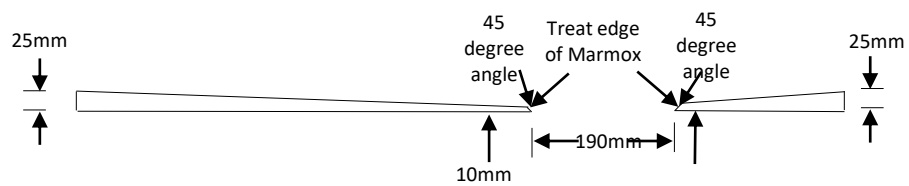
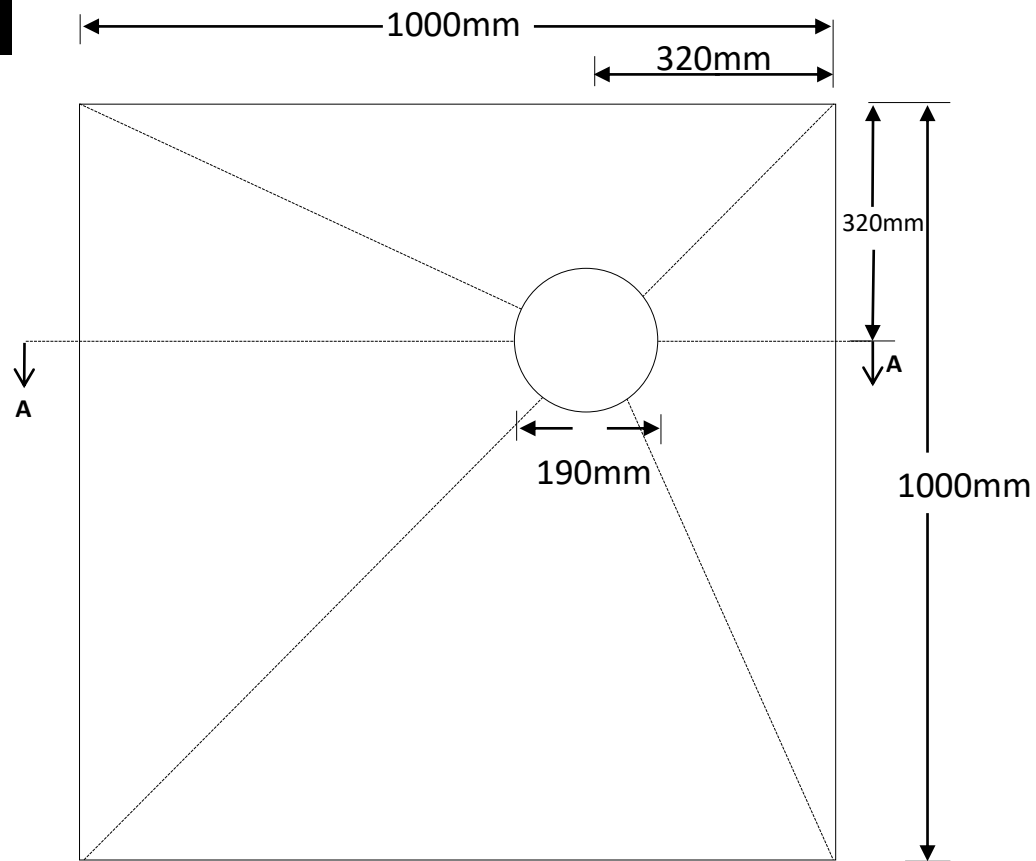
# Offset Drain

**marmox**

1000mm x 1000mm

Code: MXPST 1.0 -1.0 OFF

## Top View



CROSS SECTION A

## Bottom View

