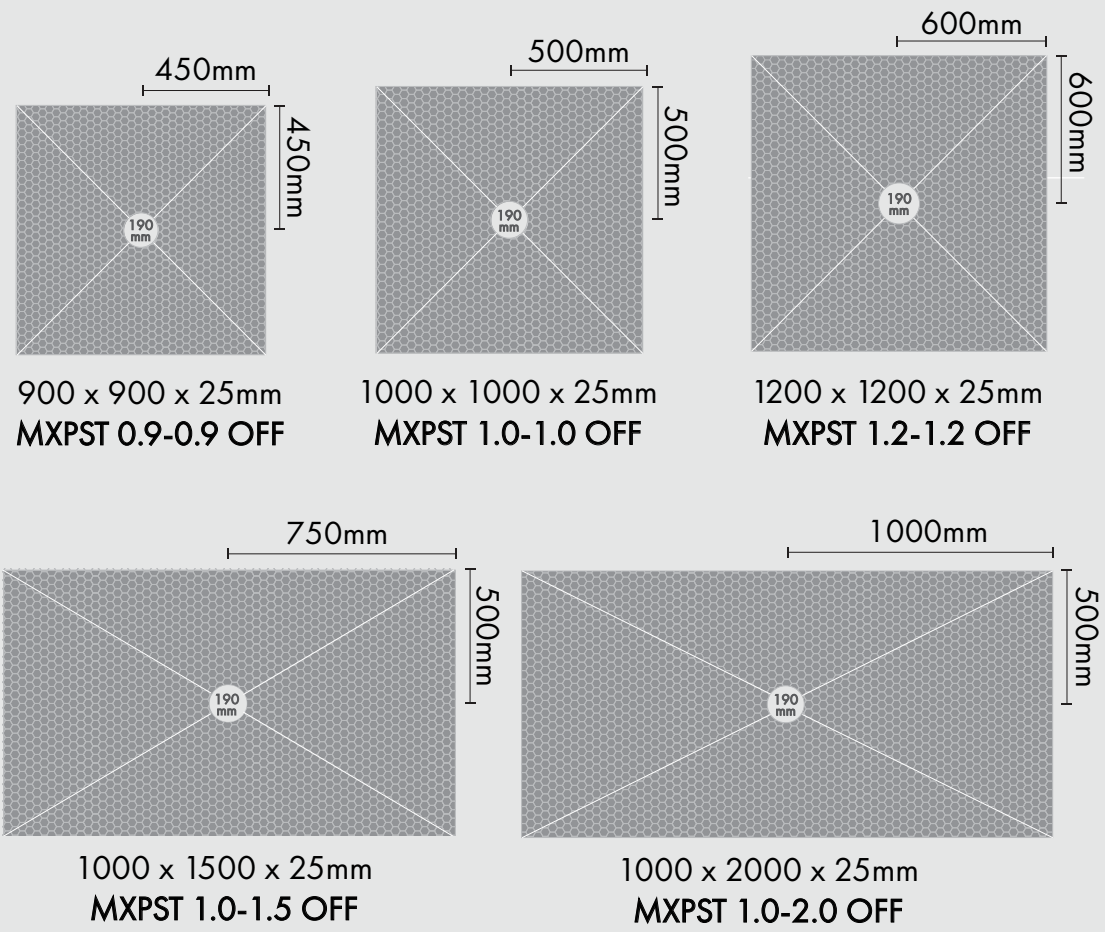


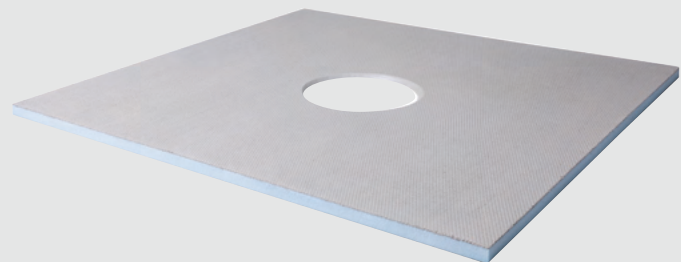


Marmox
Ready-to-tile-over
Shower bases

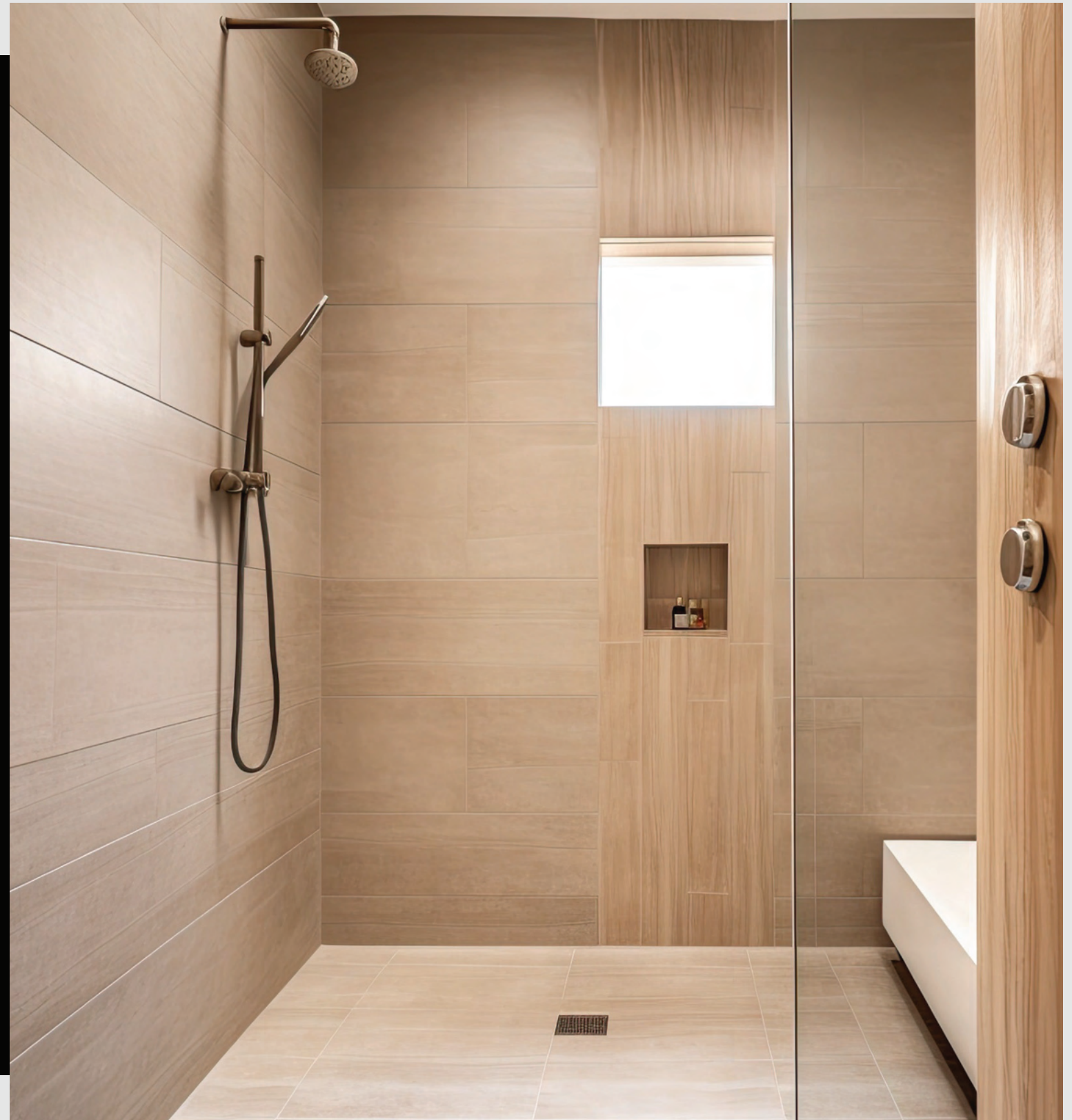
Centre



Centre drain
1000 x 1000 x 25mm
Fall: 25mm to 10mm



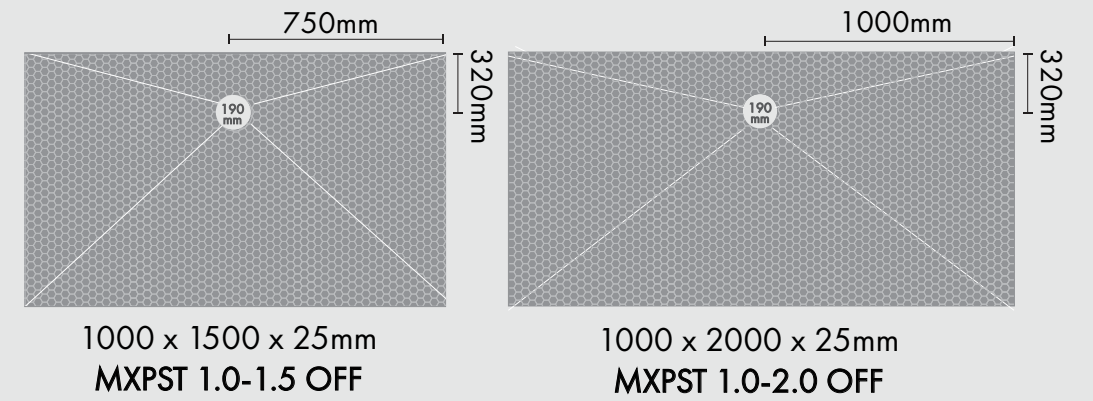
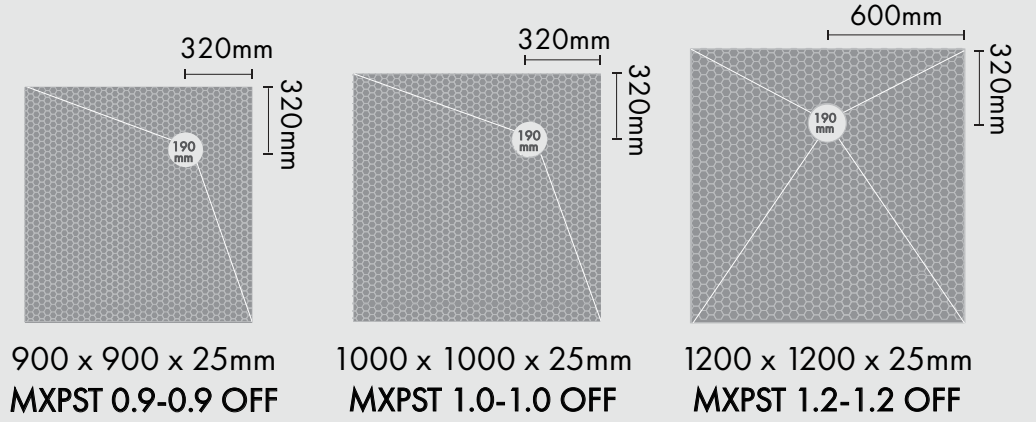
Centre



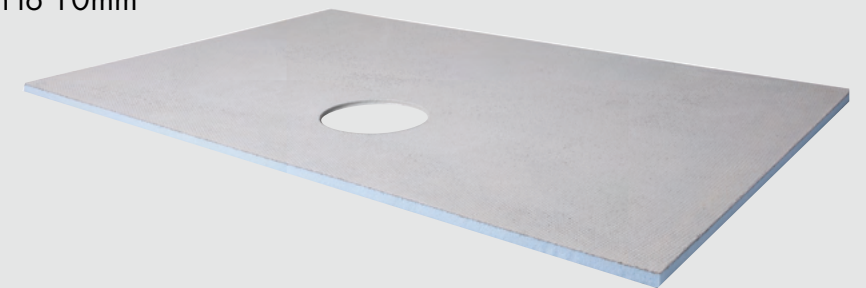


Offset

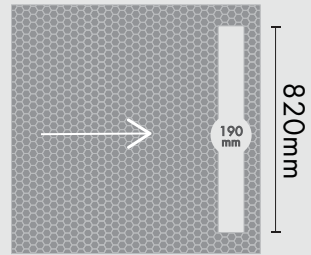
Offset



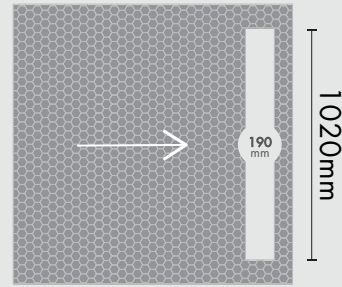
Offset drain
 1000 x 2000 x 25mm
 Fall: 25mm to 10mm



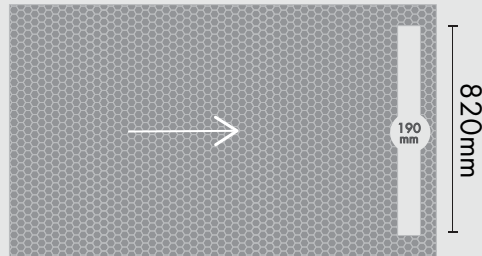
Channel - Trough drain traverse



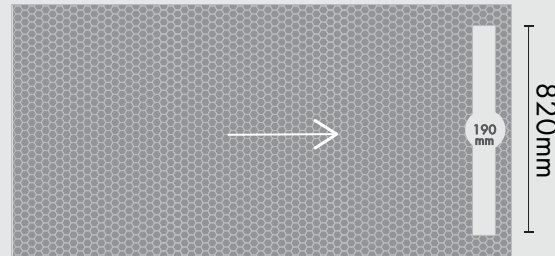
1000 x 1000 x 25mm
MXPST 1.0-1.0 TDTV
[800mm channel]



1200 x 1200 x 25mm
MXPST 1.2-1.2 TDTV
[1000mm channel]

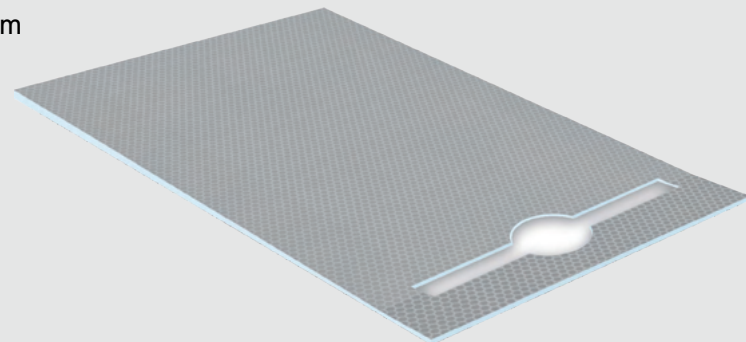


1000 x 1500 x 25mm
MXPST 1.0-1.5 TDTV
[800mm channel]

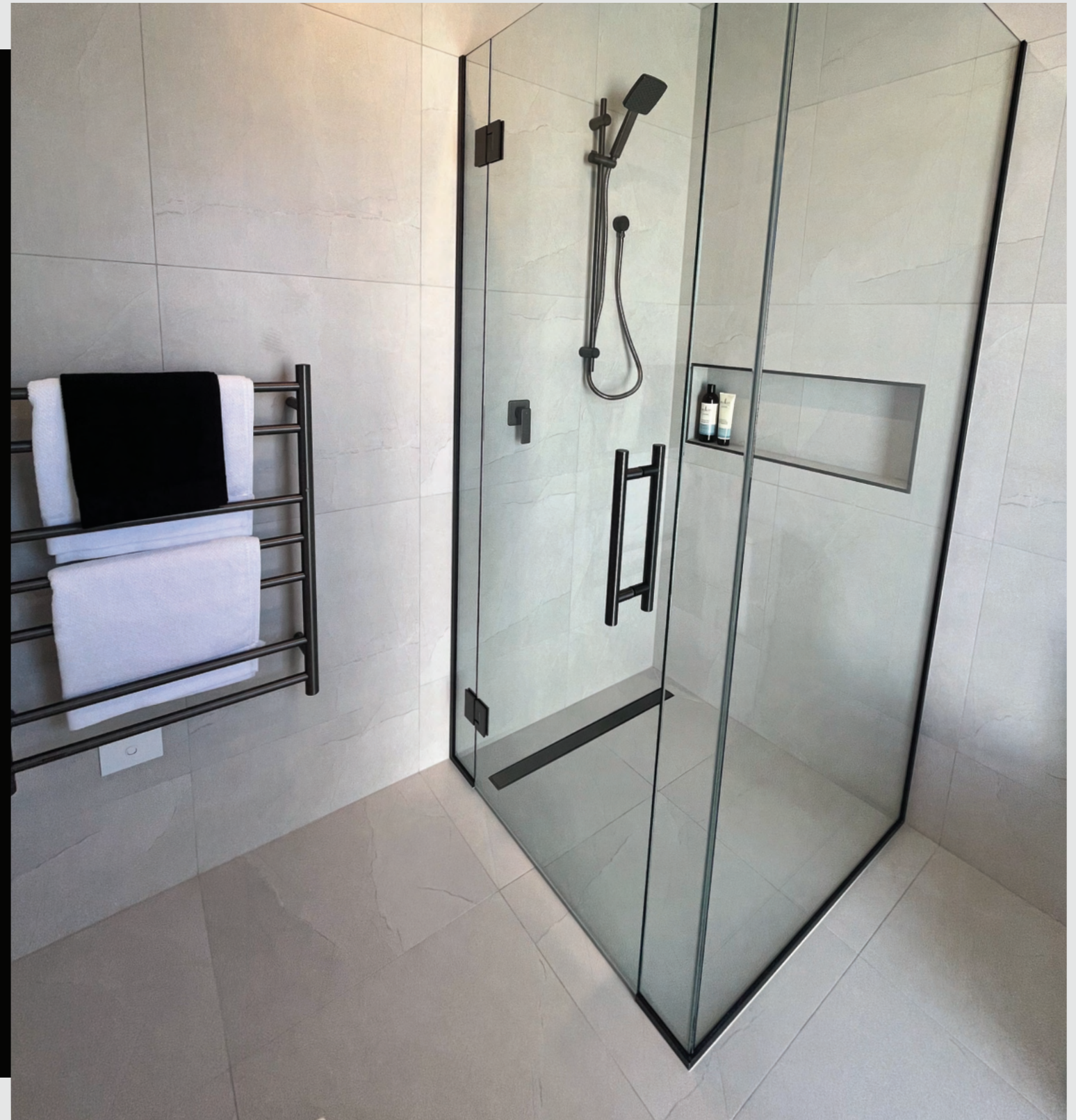


1000 x 2000 x 35mm
MXPST 1.0-2.0 TDTV
[800mm channel]

Channel - traverse drain
1000 x 2000 x 35mm
Fall: 35mm to 10mm



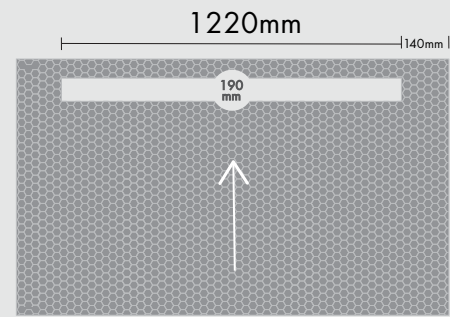
Channel - Traverse drain



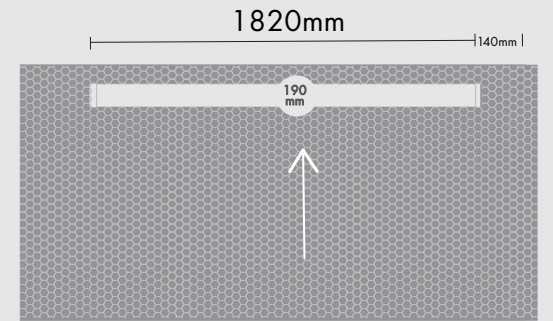


Channel - Longitudinal drain

Channel - Longitudinal drain

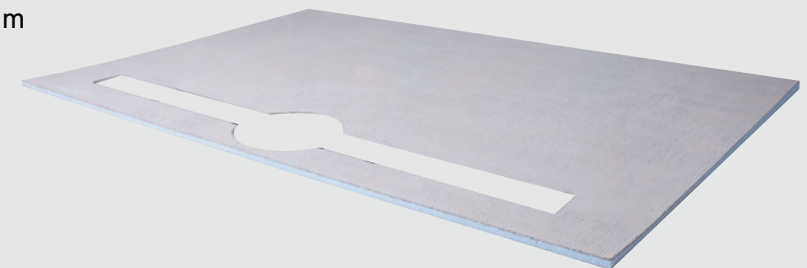


1000 x 1500 x 25mm
MXPST 1.0-1.5 TDLT
 [1000mm / 1200mm channel]
 Packers included

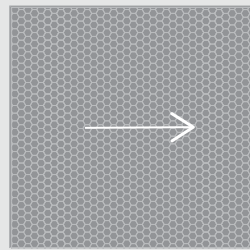


1000 x 2000 x 25mm
MXPST 1.0-2.0 TDLT
 [1200mm / 1800mm channel]
 Packers included

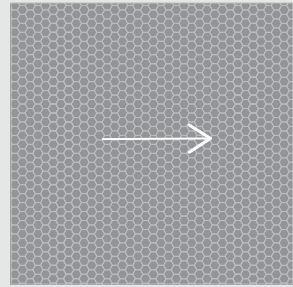
Channel - longitudinal drain
 1000 x 2000 x 25mm
 Fall: 25mm to 10mm



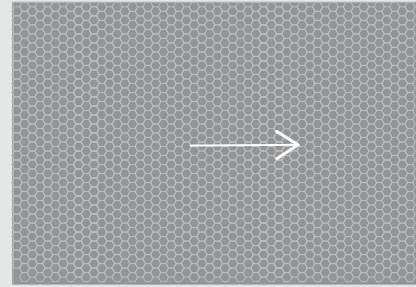
Wedge



1000 x 1000 x 25mm
MXPSW 1.0-1.0

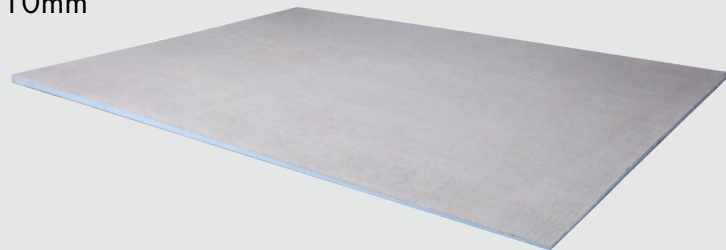


1200 x 1200 x 25mm
MXPSW 1.2-1.2



1200 x 1600 x 26mm
MXPSW 1.2-1.6

Wedge Shower Base
1200 x 1600 x 26mm
Fall: 26mm to 10mm



Wedge





Custom

Custom Shower Bases

Marmox Shower bases are available in a range of sizes to suit all shower layouts.

If you're interested in our design services for custom shower bases, please scan the QR code for the request form. We will suggest suitable products for your design.

Custom Shower Base Form



Custom Shower Base Form



Marmox New Zealand Ltd

T 0800 MARMOX (805 558) E info@marmox.co.nz W marmox.co.nz