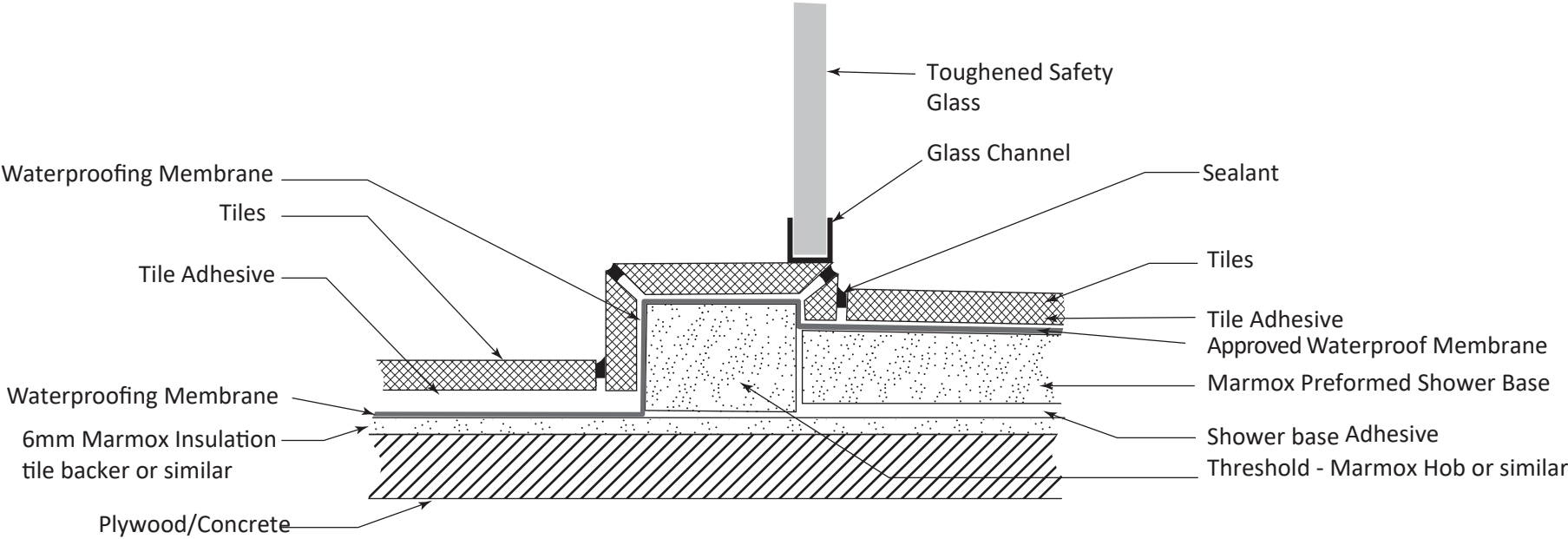


Cross Sections - Shower System



Shower Upstand (Threshold)

Scale - 1 : 2

Date: 14/01/2025

Detail

M03